



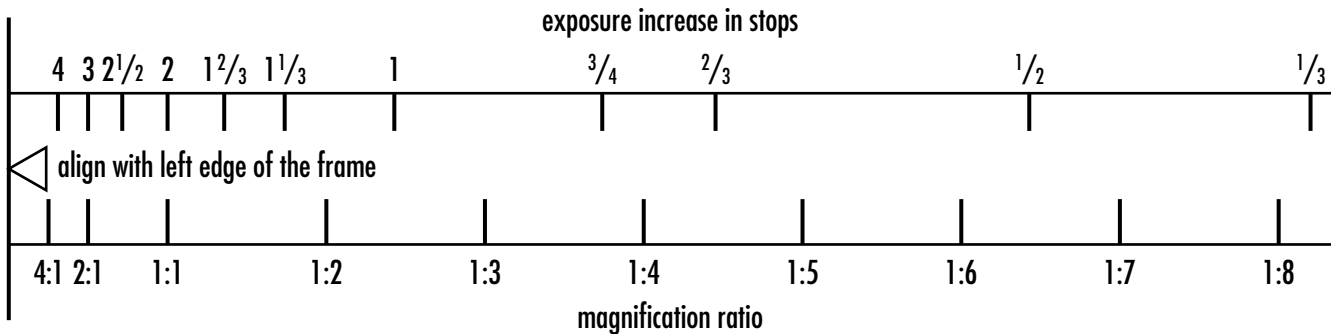
SHIFT & TILT
BELLOWS SYSTEM

Instruction Manual
March 1997



1. Place scale in object plane
2. Align arrow with left edge of the frame
3. Magnification ratio and the corresponding exposure increase can be read off at the right edge of the frame

note: magnification scales refers to projection aperture 1:1.85 (width = 21 mm/ 0.825")



1. Safety Specifications

Warnings



*Danger of injury
or equipment damage possible!*

General Safety Specifications



Due to the flexible bellows design, adjustments are possible which surpass the technical possibilities of the attached lens. Optically, extreme settings may cause vignetting. Mechanically, some lenses may collide with the bellows unit due to their design. All settings must therefore be executed with the necessary caution.

- In order to ensure optimal performance, it is essential that you acquaint yourself with this instruction manual.
- Assembly and initial operation should be carried out only by persons who are familiar with the equipment!
- Repairs should be carried out only by authorized service centers!
- Only use original ARRI replacement parts and accessories!

Shift & Tilt Bellows System

Important Notes

- Avoid operational errors!
- Following shift and tilt adjustments check the viewfinder at the chosen T-stop to avoid unwanted vignetting! In case of doubt a film test should be shot.
- Use lens caps to avoid damage!
- Clean optical surfaces only with a lens brush or a clean lens cloth! In case of solid dirt moisten a lens cloth with pure alcohol.
- Do not use solvents for cleaning!
- Do not remove any screws which are secured with paint!

Product Specifications

In case of inquiries or when ordering parts, please advise product designation and serial number.

Explanation of the Symbols in the Instruction Manual

⇨ **photo** indicates objects which are shown in the photograph on the fold-out page.

2. Contents

1. Safety Specifications	1
Warnings	1
General Safety Specifications	1
Important Notes	2
Product Specifications	2
Explanation of the Symbols	2
2. Contents	3
3. General Description	4
4. Setting Up	6
4.1. Attaching the Support Rod Adapter	6
4.2. Mounting the Bellows Unit	7
4.3. Attaching the Lens	8
4.4. Setting the Working Position of the Shift & Tilt System	9
5. Operation	11
5.1. Focusing	11
5.2. Setting the Working Aperture	12
5.3. Shift	13
Working Examples (Shift)	14
5.4. Tilt	17
Scheimpflug Condition	18
Working Examples (Tilt)	19
6. Technical Data	20
7. Order Numbers	23

3. General Description

The ARRI Shift & Tilt bellows system comprises a bellows unit as well as a set of lenses that cover a significantly larger image area than is required to cover the conventional format area on film. The lenses are attached to the bellows unit via a bayonet mount. The bellows unit is attached to the camera with the standard PL-Mount.

The flexible bellows allows the attached lens to be

- shifted parallel to the film plane
- rotated around its optical axis and
- tilted.

This opens up creative possibilities that go far beyond those given by the focus and iris adjustments of conventional lenses.

Some applications are:

Shift

- Eliminating perspective distortion in architectural photography;
- Avoiding unwanted reflections;
- Excluding unwanted objects in the foreground;
- Changing framing without moving the camera;

Tilt

- Free adjustment of a focus plane, i. e. focusing on a plane that is not parallel to the film plane;
- Isolating a particular subject area with a specifically chosen focus plane,

as well as combinations of shift and tilt.

Shift & Tilt Bellows System

Because of the bellows extension, the system can also be used for close-up and macro cinematography.

The bellows unit is particularly robust and precise. Corresponding operating elements are color-coded. All adjustments are carried out via transmissions. An index scale facilitates the exact duplication of chosen settings. The focusing knob features a white marking disk on which focus positions can be individually marked, as well as a connection for mechanical remote controls.

The lenses were specifically designed for this application. The bayonet mount facilitates quick lens changes. The double aperture scales, located opposite each other, are calibrated in T-stops and are easily readable from the side. Uniform design, a consistent front diameter of 87 mm and the geared iris ring offer further user-comfort.

The system can be used with both 35 and 16 mm cameras.

4. Setting Up

4.1. Attaching the Support Rod Adapter

The bellows unit can be used with 19 mm as well as with 15 mm support rods. An appropriate adapter ⇨ **photo** is available for each support rod diameter.

- Undo the four screws located at the bottom of the currently mounted adapter.
- Replace with desired adapter.
- Fasten the adapter with the four screws located at the bottom.

4.2. Mounting the Bellows Unit

- Ensure that the support rod clamps on the adapter are loosened.
- Turn the focusing knob ⇨ **photo** clockwise to its end stop.
- Ensure that all shift and tilt adjustments ⇨ **photo** are in their neutral (centered) positions.
- Slide the bellows unit onto the support rods.
- Turn the bayonet ring of the camera's PL-receptacle counterclockwise as far as it will go and remove the protective cap.



Never put your fingers into the lens mount receptacle.

- Push the PL-mount of the bellows unit into the lens mount receptacle without catching it at the edges. One of the four slots on the flange must fit over the index pin.
- Pull the bayonet ring on the camera clockwise to tighten. Do not over-tighten.

The final position of the bellows unit on the support rods is set after attaching the desired lens.

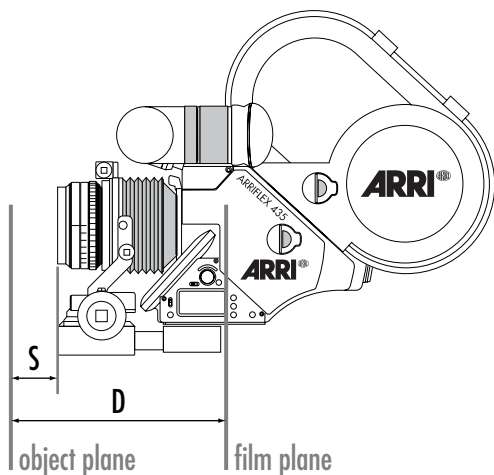
4.3. Attaching the Lens

- Pull tight the clamp for lens rotation ⇨ **photo**.
- Turn the bayonet ring of the unit's lens mount receptacle counterclockwise as far as it will go.
- Push the lens into the lens mount receptacle without catching it at the edges. One of the four slots on the lens mount must fit over the index pin ⇨ **photo**.
- Press the lens flat onto the lens mount receptacle and pull the bayonet ring clockwise to tighten. Do not over-tighten.

4.4. Setting the Working Position of the Shift & Tilt System

- Open the iris of the lens all the way.
- Ensure that the focusing knob ⇨ **photo** is turned clockwise to its end stop.
- Slide the entire bellows unit on the support rods until the most distant relevant element of the image is in focus. Check focus with the camera's viewfinder.
- Subsequently, slide the bellows unit somewhat closer to the camera body and clamp into position on the support rods.

Shift & Tilt Bellows System



Maximum Magnification

Lens	max. reproduction-ratio approx.	Distance lens to object in mm/inches (S)	Distance filmplane to object in m/inches (D)
T3.8/18mm	1:1.8	0/0	0.13/ 0'5"
T2.8/20mm	1:1.5	0/0	0.13/ 0'5"
T4/24mm	1:1.6	0/0	0.18/ 0'7"
T2.8/28mm	1:1.1	5/ 1/5"	0.17/ 0'6 1/2"
T2.8/35mm	1:1.1	10/ 2/5"	0.17/ 0'6 1/2"
T2.8/45mm	1:1.25	20/ 3/4"	0.20/ 0'8"
T3.5/60mm	1:1.8	100/ 4"	0.29/ 1'
T1.9/80mm	1:2.4	180/ 7"	0.37/ 1'2 3/4"
T2.8/90mm	1:2.5	240/ 9 1/2"	0.42/ 1'4 1/2"
T2/110mm	1:3.2	400/ 15 3/4"	0.58/ 1'11"
T2.8/150mm	1:4.5	820/ 32 1/3"	1.0/ 3'4"

5. Operation

5.1. Focusing

The focusing knob on the bellows unit ⇔ **photo** is used for focusing. Because of the adjustable bellows, an extended close-focus range is available. The corresponding magnification ratios are listed in the table on page 10.



Attention: Because of the extension of the bellows during close-focusing an appropriate exposure compensation is necessary.

See under Section

5.2. Setting the Working Aperture

A scale for determining the reproduction ratio and the exposure compensation is printed on the back fold-out page.

- Always check focus in the camera's viewfinder following shift or tilt adjustments

5.2. Setting the Working Aperture

The Shift & Tilt System allows the full image circle of the lens to be utilized. Because of this however, there is a certain risk that the difference in illumination between the center and the edge of the image will become visible. According to the $\cos^4 \Theta$ -law, a difference in exposure of up to two stops can result.



Attention: Check the viewfinder image for vignetting!

In the close-focus range, a loss of light results from the bellows extension. The approximate values for exposure compensation are listed in the following table. See also the scale on the back pull-out page.



Attention: Because of the extension of the bellows during close-focusing an appropriate exposure compensation is necessary.

Exposure Compensation

Reproduction Ratio	Open Iris by approx.
6:1	5 $\frac{1}{2}$ Stops
4:1	4 $\frac{1}{2}$ Stops
2:1	3 Stops
1:1	2 Stops
1:1.5	1 $\frac{1}{2}$ Stops
1:2	1 $\frac{1}{4}$ Stops
1:2.5	1 Stop
1:3.5	$\frac{3}{4}$ Stop
1:4.5	$\frac{2}{3}$ Stop
1:6.5	$\frac{1}{2}$ Stop

5.3. Shift

The shifting of the lens parallel to the film plane can be used for several different purposes, among them:

- Eliminating perspective distortion in architectural photography;
- Excluding unwanted objects in the foreground;
- Avoiding unwanted reflections;
- Changing framing without moving the camera.



Shifting of the lens can cause the composed image to be positioned at the very edge of the lens's image circle, which in turn can lead to vignetting. Following shift and/or aperture adjustments always check the viewfinder image to avoid unwanted vignetting. Note also that even with a sufficiently large image circle, vignetting can also be caused by the matte-box.

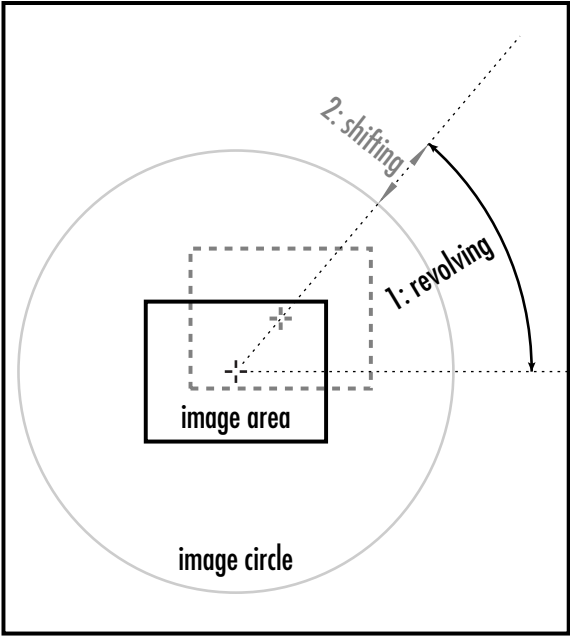
By rotating the lens, a shifting can be carried out in any desired direction.

- Before rotating the lens, release the rotation lock ⇨ **photo** on the bellows unit.

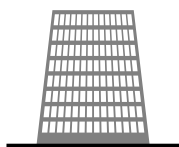
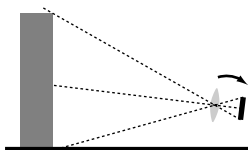
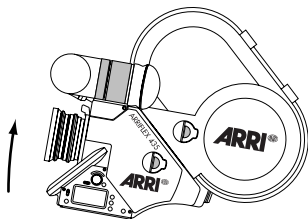
Shift & Tilt Bellows System

Working Examples

Changing framing without moving the camera

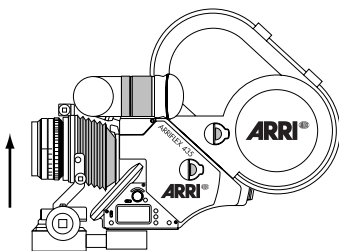
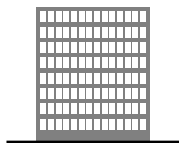
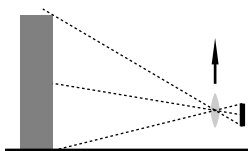


Correcting perspective



side view

result



5.4. Tilt

With lenses that are rigidly fixed to the camera body, the plane in the subject area that is in focus is parallel to the film plane. If the lens is tilted with the Shift & Tilt System, this focus plane is displaced correspondingly. The bellows unit can be adjusted in two axes ("tilt" and "swing") simultaneously, thus allowing the focus plane to be angled in two directions (up/down, left/right).

Because of this, the Shift & Tilt System enables

- free adjustment of a focus plane, i. e. focusing on a plane that is not parallel to the film plane or
- isolating a particular subject area with a specifically chosen focus plane.



Tilting or swinging the lens can cause the composed image to be positioned at the very edge of the lens's image circle, which in turn can lead to vignetting. Following tilt or swing and/or aperture adjustments always check the viewfinder image to avoid unwanted vignetting.

Note also that even with a sufficiently large image circle, vignetting can also be caused by the matte-box.

- Before tilting or swinging the lens, release the corresponding locks ⇨ **photo** on the bellows unit.

Shift & Tilt Bellows System

Scheimpflug Condition

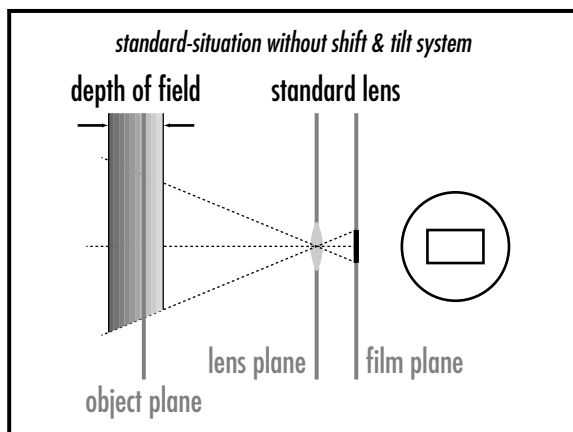
By tilting the lens it is possible to adjust a focus plane that is not parallel to the film plane. The Scheimpflug Condition establishes that a plane in the subject area will be in focus when

- the film plane,
 - the lens plane and
 - the focus plane in the subject area
- all intersect in one line. This plane will then be completely in focus, even at maximum aperture.

The depth of field of a lens depends on

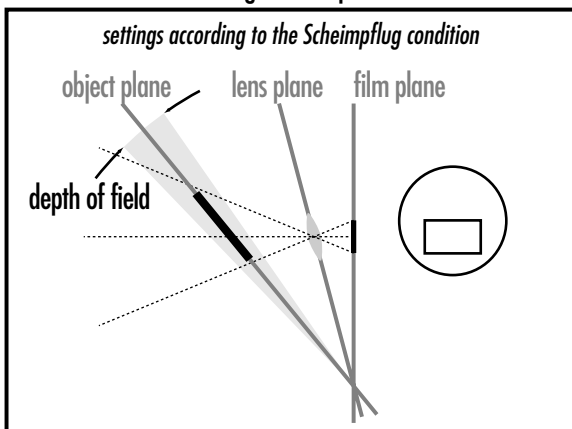
- the focal length of the lens,
- the set working aperture and
- the distance a which the lens is focused.

When the lens is tilted or swung, the depth of field is displaced along with the focus plane.



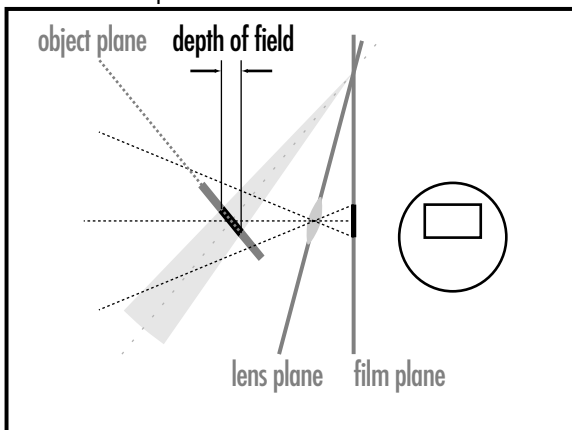
Working Examples

Setting a focus plane



Isolating a particular subject area with selective focus

By setting the lens plane against the Scheimpflug Condition, an extremely small depth of field can be achieved. This can be used for optically isolating individual objects.



6. Technical Data

Bellows Unit

Mount camera side: PL-Mount

Mount lens side: Bayonet-type mount

Support: Adapter for 19 and 15 mm support rods

Shiftadjustment: +/- 10 mm ($\frac{3}{8}$ " displacement (scale division = 1 mm)

Rotation: 360 degrees

Tiltadjustment: horizontal +/- 10 degrees (scale division = 1 degree)
vertical +/- 10 degrees (scale division = 2 degrees)

Focusadjustment: 30 mm ($1 \frac{1}{4}$ "

Weight: approx. 1100 g ($2 \frac{1}{2}$ lb.) w/ adapter, w/o lens

Options

- PL-Adapter, e. g. for using the ARRIMACRO-lenses in the macro range.
- Retro-Adapter, for using the lenses in the retrofocus-position for extreme magnification.

Shift & Tilt Bellows System

	18/T 3.8	20/T 2.8	24/T4	28/T 2.8	35/T 2.8	45/T2.8
Focal length	18 mm	20 mm	24 mm	28 mm	35 mm	45 mm
Max. aperture	1:3.5	1:2.8	1:3.5	1:2.8	1:2.8	1:2.8
No. of lens elements	11	11	11	12	7	10
No. of lens groups	10	9	9	10	7	9
Image circle diameter	38.6 mm (1.52")	43.2 mm (1.7")	58.2 mm (2.29")	58.2 mm (2.29")	58.2 mm (2.29")	58.2 mm (2.29")
Front diameter	95 mm	87 mm	87 mm	87 mm	87 mm	87 mm
T-Stop scale	3.8...22	2.8...22	4...22	2.8...22	2.8...32	2.8...22
Weight [g./lb.]	330 / 0.72	350 / 0.77	480 / 1	400 / 0.88	300 / 0.66	500 / 1.1
Lens angle [degrees]						
TV horizontal	59	54	46	40	32	25
TV vertical	46	42	35	30	25	19
1.85:1 horizontal	61	55	47	41	33	26
1.85:1 vertical	35	32	27	23	18	14

Note: the values above refer to standard 35mm format, 1.85:1 projected image and TV transmitted image

Shift & Tilt Bellows System

	60/T 3.5	80/T 1.9	90/T2.8	110/T2	150/T2.8
Focal length	60 mm	80 mm	90 mm	110 mm	150 mm
Max. aperture	1:3.5	1:1.9	1:2.8	1:2	1:2.8
No. of lens elements	7	7	6	7	5
No. of groups	7	6	5	6	4
Image circle diameter	58.2 mm (2.29")	58.2 mm (2.29")	58.2 mm (2.29")	58.2 mm (2.29")	58.2 mm (2.29")
Front diameter	87 mm	87 mm	87 mm	87 mm	87 mm
T-Stop scale	3.5...22	1.9...22	2.8...22	2...16	2.8...22
Weight [g / lb.]	590 / 1.3	510 / 1.12	440 / 0.9	780 / 1.75	680 / 1.5
Lens angle [degrees]					
TV horizontal	19	14	13	10	8
TV vertical	14	11	10	8	6
1.85:1 horizontal	20	15	13	11	8
1.85:1 vertical	11	8	7	6	4

Note: the values above refer to standard 35mm format, 1.85:1 projected image and TV transmitted image

7. Order Numbers

Shift & Tilt System	K0.52001.0
Bellows-Set comprising	
Bellows unit	K2.52009.0
Adapter 19 mm	K2.52008.0
Adapter 15 mm	K2.52004.0
Lens 24 mm/T4	K2.52010.0
Lens 45 mm/T2.8	K2.52011.0
Lens 90 mm/T2.8	K2.52012.0
Lens 110 mm/T2	K2.52013.0
optional	
Lens 18 mm/T3.8	K2.52031.0
Lens 20 mm/T2.8	K2.52018.0
Lens 28 mm/T2.8	K2.52033.0
Lens 35 mm/T2.8	K2.52032.0
Lens 60 mm/T3.5	K2.52022.0
Lens 80 mm/T1.9	K2.52017.0
Lens 150 mm/T2.8	K2.52019.0
PL-Adapter	K2.52020.0
Retro-Adapter	K2.52021.0
Flexible Shaft (for Shift, Tilt, Rotation)	K2.34890.0
Focus lever	K2.32730.0
Flexible Shaft (for Focus)	K2.32731.0
Flexible Shaft (for Focus), short	K2.34100.0

© ARRI/KVW
Specifications subject to change without notice

Printed in Germany

Ident-No. for Manual:
K09.91941.0

available languages
German
English



ARNOLD & RICHTER CINE TECHNIK

TÜRKENSTR. 89 • D-80799 MÜNCHEN • TEL. (089) 3809-0
TELEX 524317 ARRI • FAX (089) 3809 - 1244